

PS660 Quick Start Guide

Lumens™

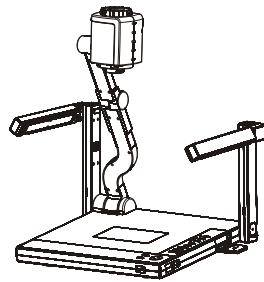
⚠ Important

* Please activate your warranty at www.lumens.com.tw/reg

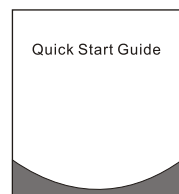
* Please visit our website www.lumens.com.tw/goto.htm to download latest version of Software, Multilingual User Manual and Quick Start Guide.

1. Package Contents

Main Unit

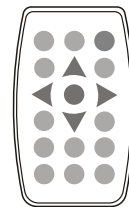


Quick Start Guide

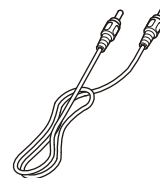


* To download this manual in other languages, visit Lumens website

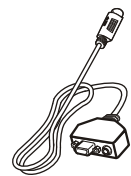
Remote control



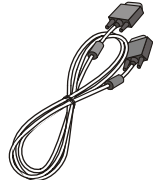
C-Video Cable



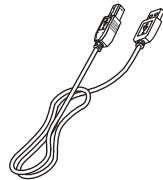
Extender Adapter



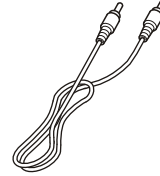
VGA Cable



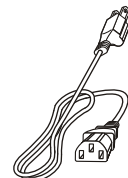
USB Cable



Audio Cable



Power Cord



* Appearance may vary in different countries

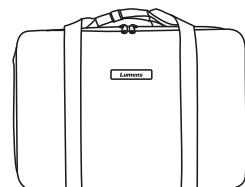
Microscope Adapter



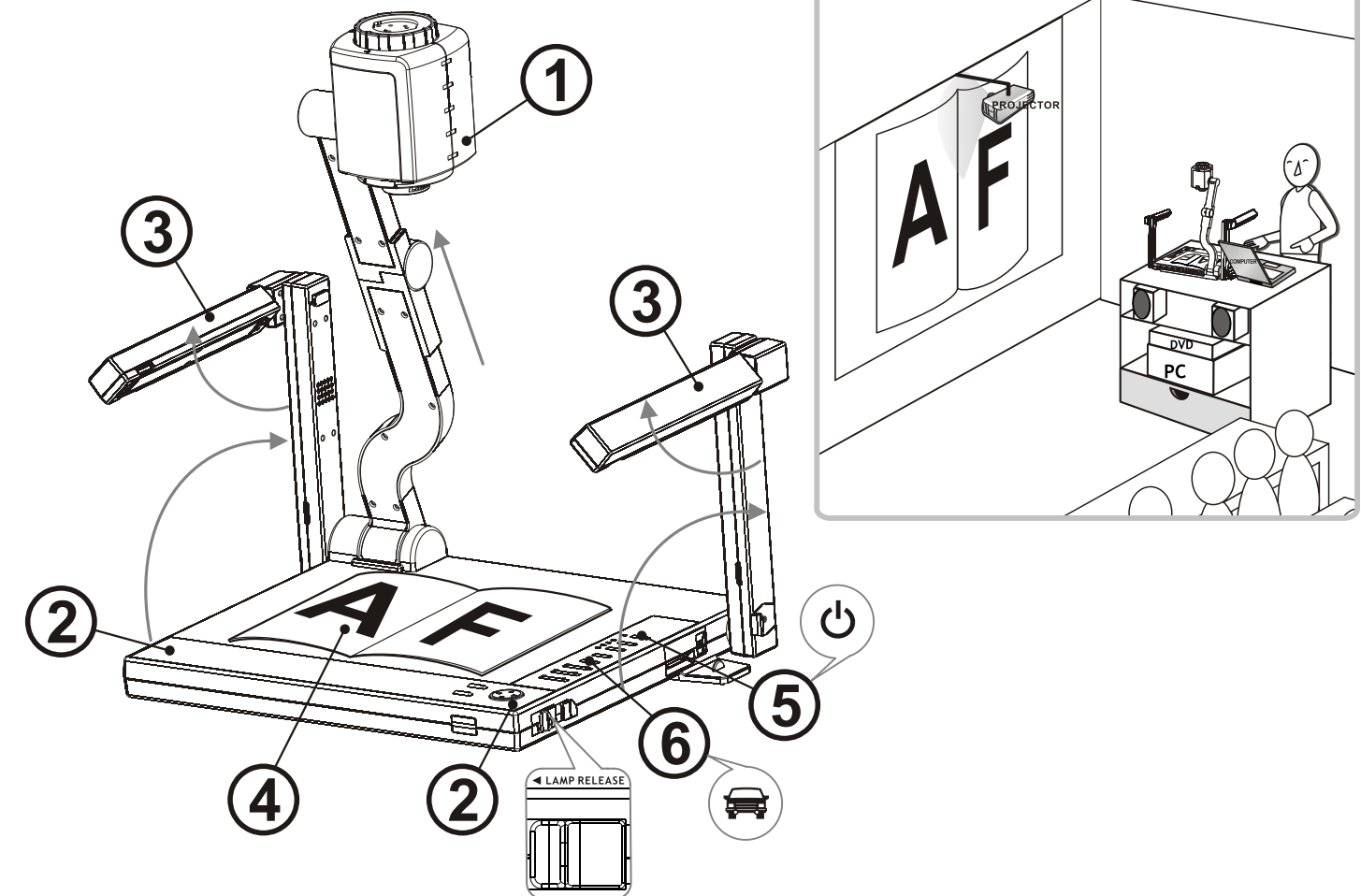
Backlight (Optional)





Padded Carry Bag (Optional)



2. Getting Started

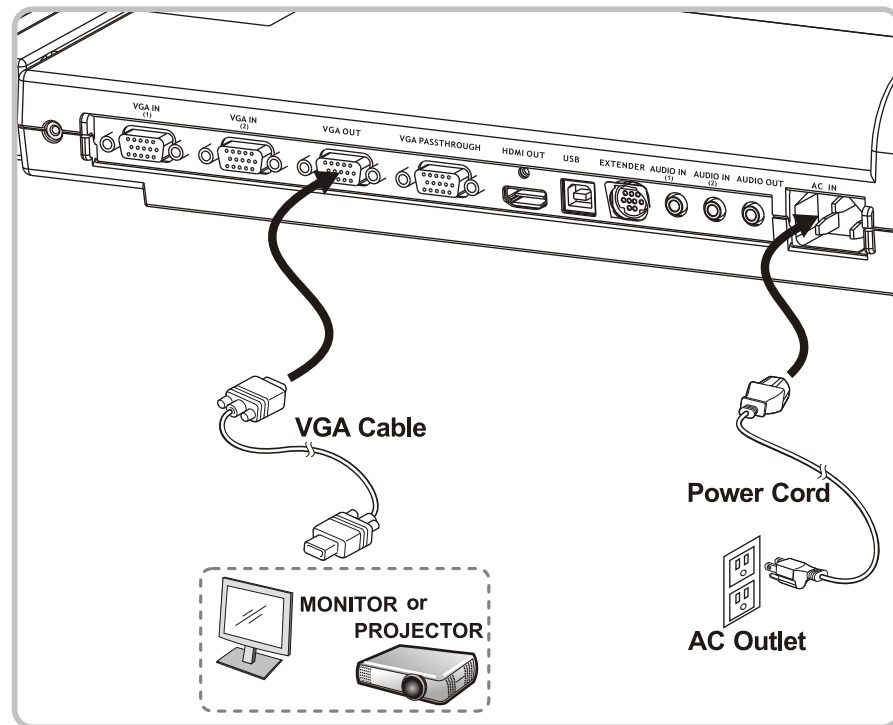


* The angle range of the camera / lamp arm / lamp is limited. Do not turn it forcefully when it reaches the maximal angle.

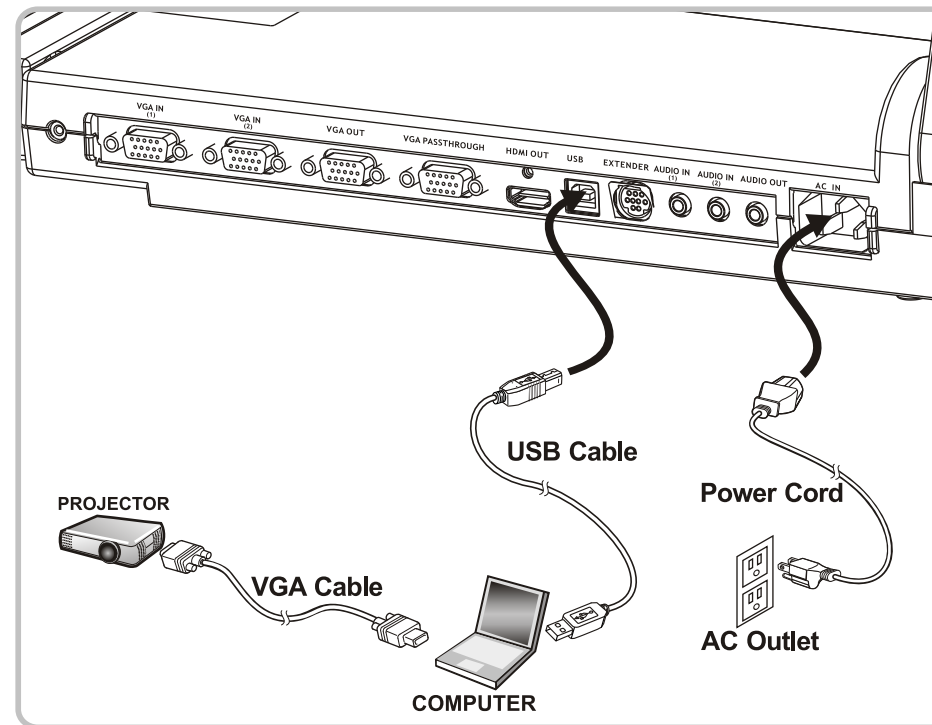
- ① Pull up the camera and the camera arm. The camera should aim at the center of the presenter.
- ② Press and hold the [LAMP RELEASE] on both sides and push the latches forward to pull up the lamp arm.
- ③ Aim the lamp toward the document.
- ④ Place an object to be displayed under the camera.
- ⑤ Turn the power on. 
- ⑥ Press the [AUTO TUNE]  button to optimize the image. You are ready to teach / present.

3. Installation & Connection

▼ Connect to a Projector or Monitor

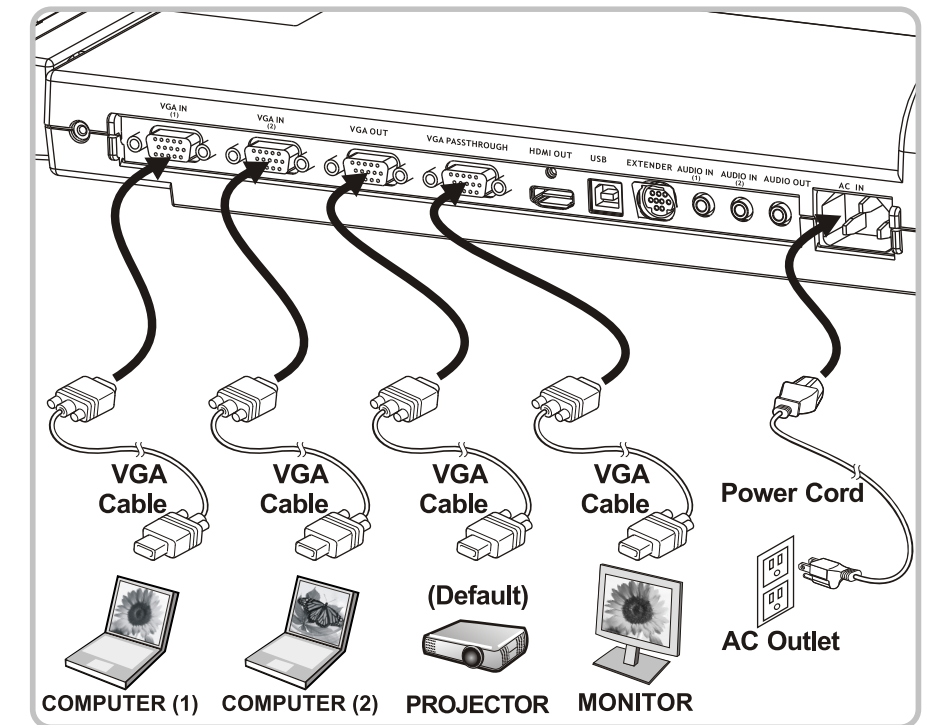


▼ Connect to a Computer and Use Lumens' Software.



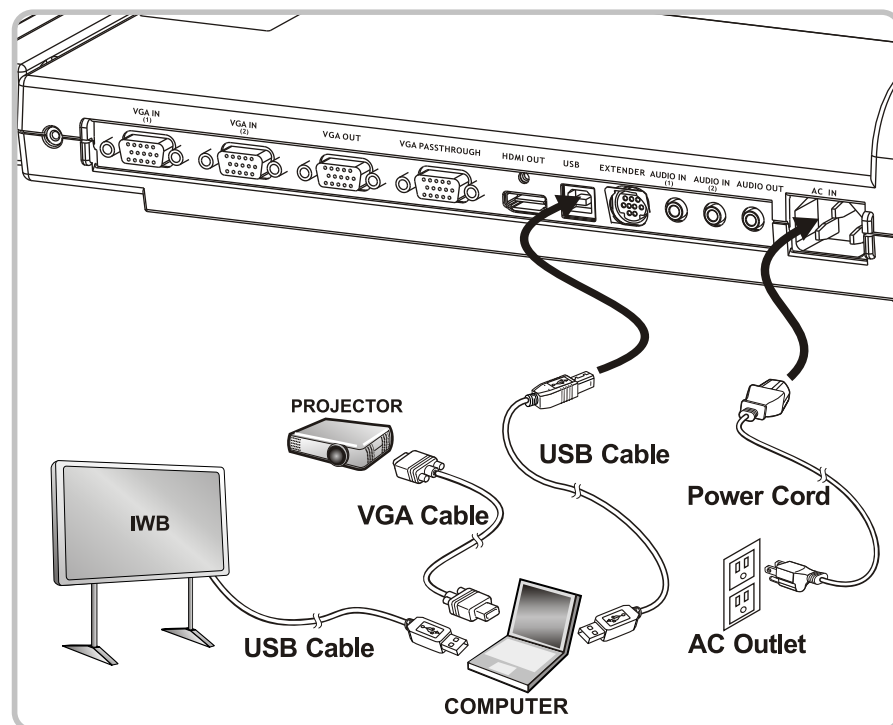
* Driver and software can be downloaded from Lumens website.

▼ Connect a Projector, two Computers and Monitor simultaneously

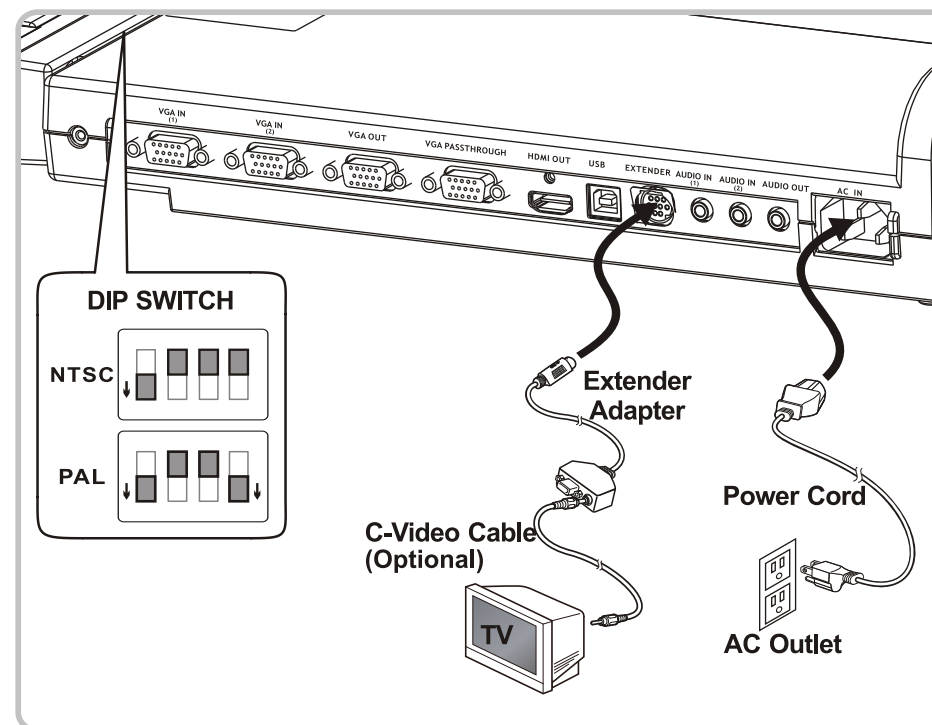


* Press [SOURCE] to change image source from Computer.

▼ Connect to an Interactive Whiteboard (IWB)



▼ Connect to a TV



* NTSC: USA, CANADA, MEXICO, PANAMA, CHILE, JAPAN, TAIWAN, KOREA AND PHILIPPINES.
 * PAL: Country / region not listed above.
 * After the unit is re-started, new DIP switch configuration is effective.

▼ Connect to an HDTV

